

Thank you for choosing Crystal Pacific windows and doors. Proper installation is crucial to ensure the longevity and performance of your new windows. This guide provides step-by-step instructions for installing Crystal Pacific windows, along with important safety information, required tools, and tips for achieving a successful installation.

1. Hardware and Tools Required

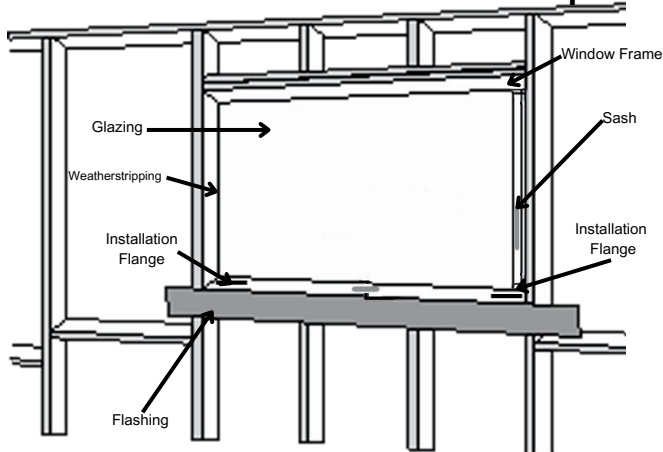
Hardware provided by the Manufacturer:

- Window unit(s)

Tools and hardware NOT Provided by the Manufacturer:

- Mounting brackets
- Flashing tape
- Installation screws
- Foam backer rod
- Sealant (silicone or polyurethane)
- Shims
- Measuring tape
- Level
- Utility knife
- Hammer
- Screwdriver
- Caulking gun
- Pry bar
- Putty knife
- Protective gloves and eyewear
- Dust mask
- Painter's tape
- Drill with appropriate bits

2. Product Overview and Parts Description



- **Window Frame:** The main structure of the window, which holds the glass panes in place.
- **Sash:** The movable part of the window that holds the glass.
- **Glazing:** The glass panes within the window.
- **Weatherstripping:** A material used around the edges of the sashes to prevent air and water infiltration.
- **Installation Flange:** A projecting edge around the window frame for securing the window to the opening.

Crystal[®]
WINDOW & DOOR

Crafted with Passion, Built to Perform™

Crystal Pacific Windows and Doors is a leading provider of premium architectural solutions, delivering high-quality windows and doors crafted to elevate both the aesthetic and functionality of any space. Since our Inception in 1990, our mission has been to revolutionize the fenestration industry. Through a commitment to innovation, craftsmanship, and customer satisfaction, we have set the standard in our field. These values remain the cornerstone of our company as we pave the way for the future of architectural solutions



NYC, NY (HQ) 31-10 Whitestone Expressway, Flushing, NY 11354 | **800.472.9988**
Scranton, PA 204 Franklin Valley Rd, Dalton, PA 18414 | **570.276.8000**
Cleveland, OH 29299 Clemens Rd. 1-B, Westlake, OH 44145 | **440.871.8694**
St. Louis, MO 300 Axminister Dr, Fenton, MO 63026 | **636.305.7880**
Chicago, IL 1300 W 35th st, Chicago, IL 60609 | **773.376.6688**
Riverside, CA 1850 Atlanta Ave, Riverside, CA 92507 | **951.779.9300**
Dallas, TX W. Mockingbird Ln, Dallas, TX 75247 | **469.248.3012**
Toronto, ON 30 West Pearce Street, Richmond Hill, ON, L4B 1E3 | **905.889.9883**

Copyright © 2024 Crystal Pacific Window & Door. All rights reserved. Unauthorized use of this instruction manual, in whole or in part, is prohibited. Crystal Pacific Window & Door reserves the right to update and modify the information contained in this instruction manual without prior notice. All product names, logos, and brands are property of their respective owners.

Crystal[®]
WINDOW & DOOR

Crafted with Passion, Built to Perform™



Installation Manual

FOR VISTA PLUS AWNING WINDOWS

3. Removing Old Products and Preparing the Frame

Safety Warning: If your home was built before 1978, there is a potential for lead paint. Refer to the EPA's guidelines at www.epa.gov/lead for proper handling.

1. Remove the Old Window:

- Use a utility knife to cut through any paint or caulk sealing the old window.
- Carefully remove interior trim and sashes using a pry bar.
- Remove screws or nails holding the old window frame in place.

2. Prepare the Frame:

- Inspect the rough opening for damage. Repair or replace any rotten or damaged wood.
- Clean the opening thoroughly, removing any debris.
- Ensure that the opening is square and level. Adjust as needed.

4. Disposal or Recycling of Old Products

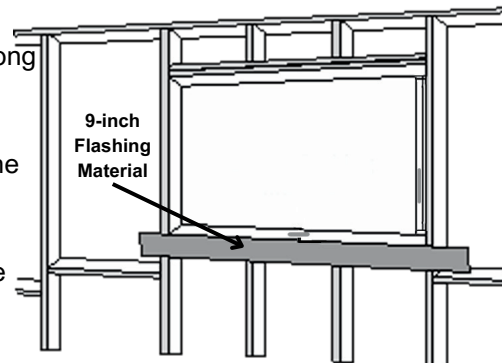
Proper disposal of old windows is crucial for environmental safety. Check with your local waste management or recycling center for appropriate disposal methods. Glass and aluminum parts may be recyclable, but treated wood and old paint may require special handling.

5. Flashing Instructions

Flashing is vital to prevent water intrusion around the window.

Apply Flashing Tape:

- Begin by applying flashing tape along the bottom edge of the rough opening, ensuring it extends up the sides slightly.
- Apply tape along the sides of the opening, overlapping the bottom tape.
- Finally, apply tape along the top edge.



6. Shimming the Product

Proper shimming ensures that your window is level, plumb, and flush with the wall.

1. Place the Window in the Opening:

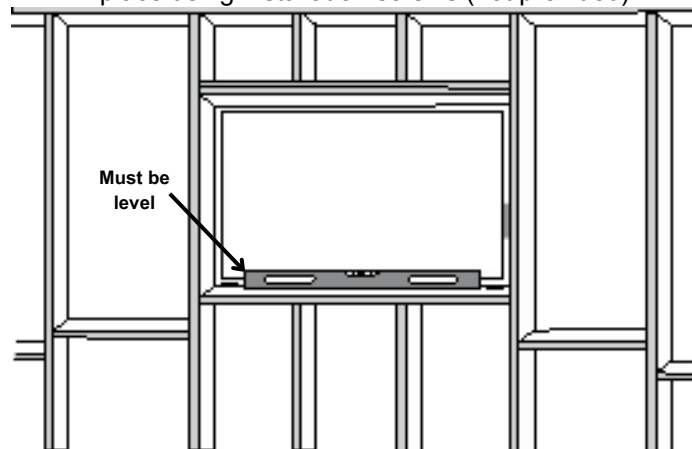
- Set the window into the prepared opening, resting it on the bottom shims.

2. Level the Window:

- Use a level to check the alignment of the window horizontally and vertically.
- Add or adjust shims as needed to achieve a level and plumb installation.

3. Secure the Window:

- Once the window is correctly aligned, secure it in place using installation screws (not provided).



7. Sealing and Weatherproofing

To prevent air and water infiltration, follow these steps:

1. Apply Foam Backer Rod:

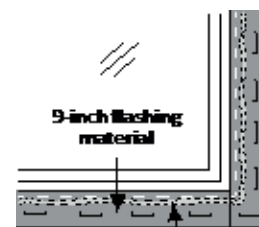
- Insert foam backer rod into the gap between the window frame and the rough opening.

2. Apply Sealant:

- Use a caulking gun to apply a continuous bead of sealant over the foam backer rod around the entire window perimeter.
- Smooth the sealant with a putty knife for a neat finish.

3. Weatherstripping:

- Ensure that the window's weatherstripping is intact and making full contact with the window sash.



8. Installation Variations

Pocket Installation:

- Ideal for replacing windows where the existing frame is still in good condition.
- Remove the old sashes and stop, but leave the frame in place.
- Follow the steps above, focusing on shimming and sealing.

Rough Opening Installation (Exterior Sheathing Intact):

- Remove the old window, including the frame, but leave the exterior sheathing in place.
- Ensure that the rough opening is properly flashed before installing the new window.

Rough Opening Installation (Exterior Sheathing Removed):

- This method may be required when replacing windows in homes with exterior sheathing that needs repair.
- Follow all steps for rough opening installation, paying special attention to flashing and weatherproofing.

Final Inspection and Maintenance

- **Check for Proper Operation:** Open and close the window to ensure it operates smoothly.
- **Inspect Seals:** Ensure all seals are tight and properly applied.
- **Clean the Window:** Wipe down the window frame and glass, removing any debris or adhesive residue.

Disclaimer: These installation instructions are provided for general informational purposes only. Crystal Pacific Window & Door does not assume any responsibility for any damage or injury resulting from the installation of its products. Installation should be performed by a qualified professional. Follow all local building codes and regulations during the installation process.

Lead Paint Disclaimer: If your home was built before 1978, there may be a risk of exposure to lead paint when removing old windows. It is your responsibility to comply with all federal, state, and local regulations regarding lead paint removal and disposal. For more information, visit www.epa.gov/lead.

Warranty Disclaimer: The proper installation of Crystal Pacific windows is essential for ensuring the effectiveness of the product's warranty. Failure to follow these instructions, or the use of unauthorized materials or methods, may void the warranty. Refer to the warranty documentation provided with your product for full details.