

Thank you for choosing BuenaVista Sliding Glass Doors. Proper installation is essential to ensure that your new sliding glass doors perform well and last for years to come. This guide provides step-by-step instructions for installing Crystal Pacific sliding glass doors, including important safety information, required tools, and tips for a successful install.

1. Hardware and Tools Required

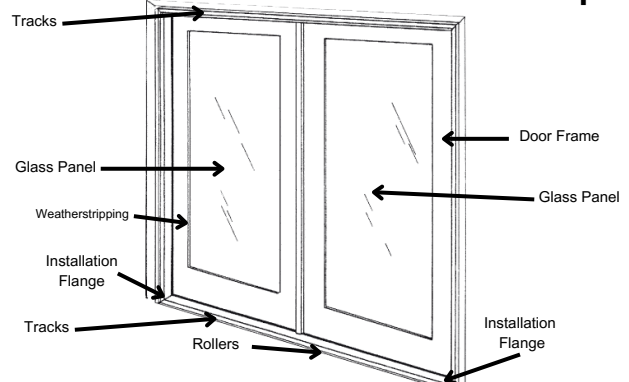
Hardware provided by the Manufacturer:

- Sliding Glass Door unit(s)

Tools and hardware NOT Provided by the Manufacturer:

- Mounting brackets
- Flashing tape
- Installation screws
- Rollers and Tracks
- Sealant (silicone or polyurethane)
- Shims
- Measuring tape
- Level
- Utility knife
- Hammer
- Screwdriver
- Caulking gun
- Pry bar
- Putty knife
- Protective gloves and eyewear
- Dust mask
- Painter's tape
- Drill with appropriate bits

2. Product Overview and Parts Description

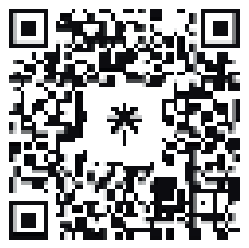


- **Door Frame:** The main structure that holds the glass panels and allows the door to slide smoothly.
- **Glass Panels:** The large glass sections that make up the door, providing light and visibility.
- **Tracks:** The rails at the top and bottom of the door frame that guide the movement of the sliding panels.
- **Rollers:** Wheels attached to the bottom of the sliding panels that allow them to glide along the tracks.
- **Weatherstripping:** A material used around the edges of the panels to prevent air and water infiltration.
- **Installation Flange:** A projecting edge around the door frame for securing the door to the opening



Crafted with Passion, Built to Perform™

Crystal Pacific Windows and Doors is a leading provider of premium architectural solutions, delivering high-quality windows and doors crafted to elevate both the aesthetic and functionality of any space. Since our Inception in 1990, our mission has been to revolutionize the fenestration industry. Through a commitment to innovation, craftsmanship, and customer satisfaction, we have set the standard in our field. These values remain the cornerstone of our company as we pave the way for the future of architectural solutions

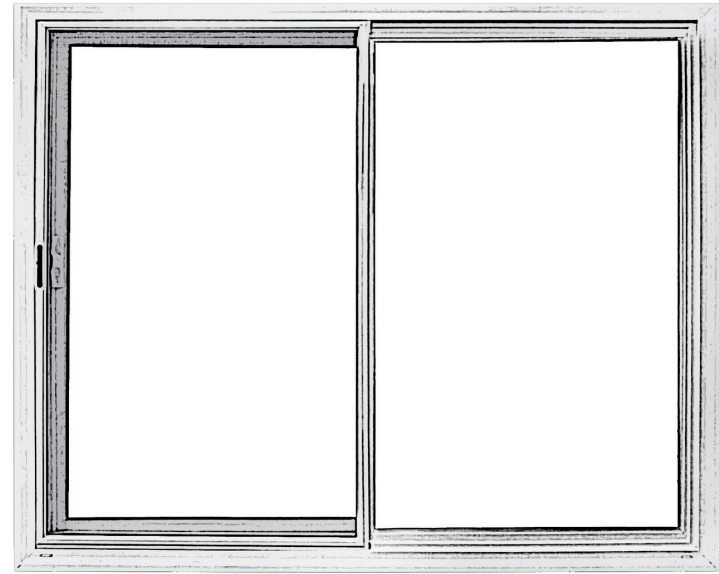


NYC, NY (HQ) 31-10 Whitestone Expressway, Flushing, NY 11354 | **800.472.9988**
Scranton, PA 204 Franklin Valley Rd, Dalton, PA 18414 | **570.276.8000**
Cleveland, OH 29299 Clemens Rd. 1-B, Westlake, OH 44145 | **440.871.8694**
St. Louis, MO 300 Axminister Dr, Fenton, MO 63026 | **636.305.7880**
Chicago, IL 1300 W 35th st, Chicago, IL 60609 | **773.376.6688**
Riverside, CA 1850 Atlanta Ave, Riverside, CA 92507 | **951.779.9300**
Dallas, TX W. Mockingbird Ln, Dallas, TX 75247 | **469.248.3012**
Toronto, ON 30 West Pearce Street, Richmond Hill, ON, L4B 1E3 | **905.889.9883**

Copyright © 2024 Crystal Pacific Window & Door. All rights reserved. Unauthorized use of this instruction manual, in whole or in part, is prohibited. Crystal Pacific Window & Door reserves the right to update and modify the information contained in this instruction manual without prior notice. All product names, logos, and brands are property of their respective owners.



Crafted with Passion, Built to Perform™



Installation Manual

FOR BUENAVISTA SLIDING GLASS DOORS

3. Removing Old Products and Preparing the Frame

Safety Warning: If your home was built before 1978, there is a potential for lead paint. Refer to the EPA's guidelines at www.epa.gov/lead for proper handling.

1. Remove the Old Sliding Door:

- Remove the screen door if present, then slide the interior panel to the center and lift it off the track.
- Remove the stationary panel by unscrewing any fasteners and carefully lifting it out.
- Use a pry bar to remove the old frame, taking care not to damage the surrounding area.

2. Prepare the Frame:

- Inspect the rough opening for damage. Repair or replace any rotten or damaged wood.
- Clean the opening thoroughly, removing any debris.
- Ensure that the opening is square and level. Adjust as needed.

4. Disposal or Recycling of Old Products

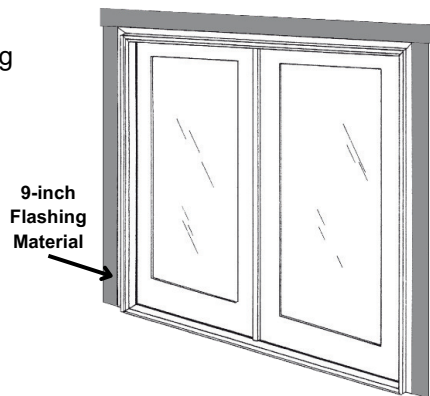
Proper disposal of old sliding doors is essential for environmental safety. Check with your local waste management or recycling center for appropriate disposal methods. Glass and aluminum parts may be recyclable, but treated wood and old paint may require special handling.

5. Flashing Instructions

Flashing is vital to prevent water intrusion around the sliding glass door.

Apply Flashing Tape:

- Start by applying flashing tape along the bottom of the rough opening, ensuring it extends up the sides slightly.
- Apply tape along the sides of the opening, overlapping the bottom tape.
- Finally, apply tape along the top edge.



Note: Always refer to the flashing manufacturer's instructions for specific products and materials.

6. Shimming the Product

Proper shimming is crucial for ensuring your sliding glass door is level, plumb, and operates smoothly.

1. Place the Door in the Opening:

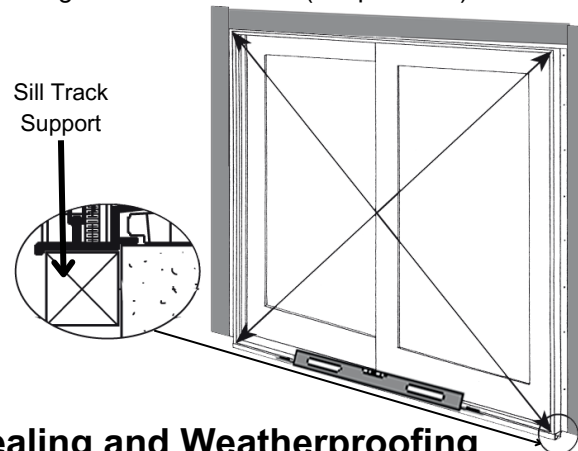
- Set the door into the prepared opening, resting it on the bottom shims.

2. Level the Frame:

- Use a level to check the alignment of the frame horizontally and vertically.
- Add or adjust shims to achieve a level and plumb installation. Use a sill track support for additional alignment.

3. Secure the Door:

- Once the frame is correctly aligned, secure it in place using installation screws (not provided).



7. Sealing and Weatherproofing

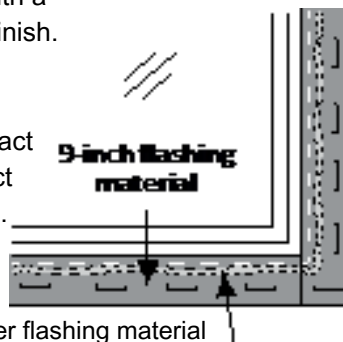
To prevent air and water infiltration, follow these steps:

1. Apply Sealant:

- Use a caulking gun to apply a continuous bead of sealant over the foam backer rod around the entire door perimeter.
- Smooth the sealant with a putty knife for a neat finish.

2. Weatherstripping:

- Ensure that the door's weatherstripping is intact and making full contact with the sliding panels.



8. Installation Variations

Pocket Installation:

- Ideal for replacing sliding doors where the existing frame is still in good condition.
- Remove the old panels and track, but leave the frame in place.
- Follow the steps above, focusing on shimming and sealing.

Rough Opening Installation (Exterior Sheathing Intact):

- Remove the old sliding door, including the frame, but leave the exterior sheathing in place.
- Ensure that the rough opening is properly flashed before installing the new door.

Rough Opening Installation (Exterior Sheathing Removed):

- This method may be required when replacing sliding doors in homes with exterior sheathing that needs repair.
- Follow all steps for rough opening installation, paying special attention to flashing and weatherproofing.

Final Inspection and Maintenance

- **Check for Proper Operation:** Open and close the sliding door to ensure it operates smoothly.
- **Inspect Seals:** Ensure all seals are tight and properly applied.
- **Clean the Door:** Wipe down the door frame and glass, removing any debris or adhesive residue.

Disclaimer: These installation instructions are provided for general informational purposes only. Crystal Pacific Window & Door does not assume any responsibility for any damage or injury resulting from the installation of its products. Installation should be performed by a qualified professional. Follow all local building codes and regulations during the installation process.

Lead Paint Disclaimer: If your home was built before 1978, there may be a risk of exposure to lead paint when removing old sliding doors. It is your responsibility to comply with all federal, state, and local regulations regarding lead paint removal and disposal. For more information, visit www.epa.gov/lead.

Warranty Disclaimer: The proper installation of Crystal Pacific doors is essential for ensuring the effectiveness of the product's warranty. Failure to follow these instructions, or the use of unauthorized materials or methods, may void the warranty. Refer to the warranty documentation provided with your product for full details.