

**Please read all instructions before beginning the installation.**

These guidelines address general details and typical installations for exterior nail-on windows with a mounting flange (nail fin). They do not cover every scenario that could arise in the field.

Because buildings can vary, you may need to take additional precautions and steps to ensure that everything goes according to plan. Make sure to consult local building codes before installing. We recommend using a professionally trained installer who is familiar with all relevant building codes and regulations.

Failure to properly install a window may void the warranty and result in damage to the window and surrounding area. All windows should be inspected upon delivery. Make a note of any defects and avoid installing defective products. Extreme caution should be used to avoid damage to windows during and after installation and throughout any construction.

### PREPARATION

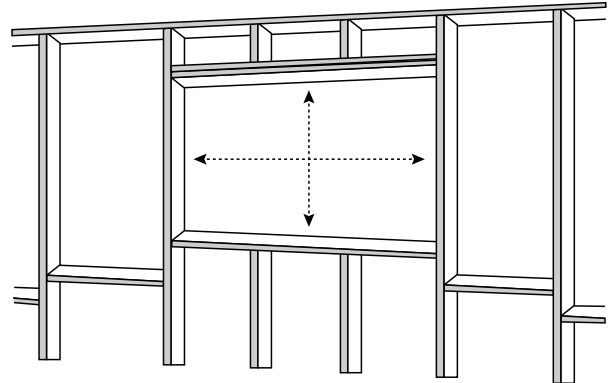
The framed rough opening for the window must be big enough in both width and height to accommodate the window's actual frame measurements (net frame size).

- Frame rough opening  $\frac{3}{8}$  to  $\frac{3}{4}$  of an inch larger than the window's net frame size (excludes the nail fin). The framing should be plumb, square, and level. A double sill plate is recommended. (See image.)
- Apply the first strip of 9-inch flashing material horizontally along the sill plate. The top edge of the material should be leveled with the top edge of the rough opening. The flashing should extend 8-1/2 inches beyond the rough opening on each side. (See image.)

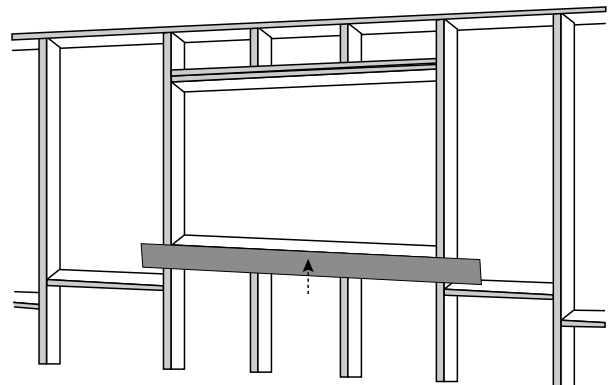
### INSTALLATION

There must be no gaps, holes, chipping, twisting, or other issues on the studs or sheathing that would prevent the sealant from staying in continuous contact. Keep weep holes clean and unclogged to ensure proper drainage.

- Apply a continuous bead of sealant to the back side (interior surface) of the nail fin prior to installing the window. Apply sealant in line with the prepunched slots located on the nail fin.
- Place the window into the rough opening from the outside immediately after the sealant is applied, centered between the vertical studs. The window handle goes to the inside.



Frame rough opening larger than window's net frame size.



Apply first strip of flashing material horizontally.

# Nail-on Vinyl Windows

## INSTALLATION INSTRUCTIONS

- Shim and adjust window as necessary to achieve a plumb and level condition. Do not shim directly under the window frame. Shim between the sill plates. The reveal around the frame opening should be even. (See image.)
- Secure jambs and sill with the equivalent of 6d galvanized or aluminum nails through the nail fin on a maximum of a 16-inch center. Do not nail through the nail fin at the head. Put nails 1/2 inch above fin and bend them over fin.

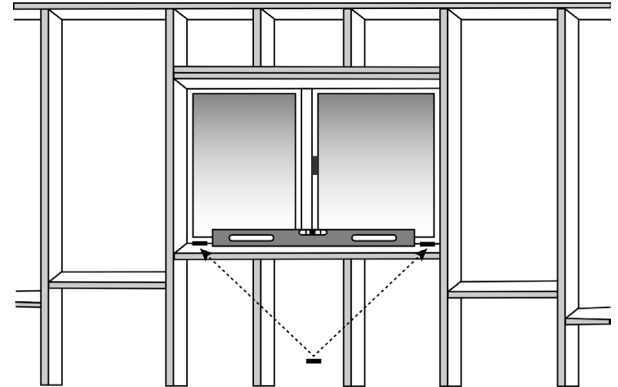
### FINALIZE

Open the vent panel 1/2 inch to check for squareness. The reveal should be the same top to bottom on sliders and side to side on hung windows.

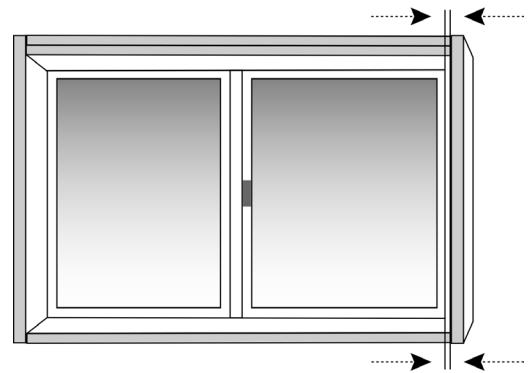
- Apply a continuous and generous bead of sealant to the exposed vertical jambs of the nail fins. Continue the bead at the jamb vertically a 1/2 inch above the rough opening at the head of the window. Sealant should be applied in line with the prepunched holes on the nail fin and over the head of the fasteners. Seal the full length of any mechanically fastened seams at the nail fin corners.
- Install 9-inch jamb flashing material by pressing the material into the sealant. Extend jamb flashing 8-1/2 inches above the rough opening and 8-1/2 inches below the rough opening sill. Tack flashing into place.
- Apply a continuous bead of sealant across the window header at a height of 8-1/2 inches above the rough opening and a second bead across the nail fin. Extend sealant 8-1/2 inches beyond the rough opening on each side to ensure that it will completely overlap the jamb flashing.
- Cut and install the head flashing material by pressing the top and bottom edges into the sealant being careful to work out any air bubbles that could hold water. Extend the jamb flashing 10 inches beyond the rough opening on either side to ensure it completely overlaps the jamb flashing. Tack in place.

### NOTE

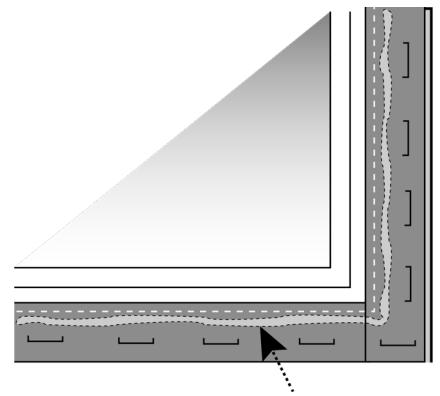
- Hinged and pivoted windows may require additional fasteners located near the hinge or pivot points.
- Field-applied protective coatings are not recommended. They can damage window sealants and gaskets.
- Masking tapes should not be used on window surfaces as they may cause damage when removed.
- Stucco or concrete left to cure on frames and glass may damage these surfaces. Remove and clean all such materials from surfaces before any curing action takes place. Rinse all surfaces exposed to leaching water from new concrete or stucco with clean water to prevent permanent damage.



Shim and adjust as necessary to achieve a plumb and level condition.



Check for squareness by opening the vent panel a 1/2 inch.



Apply sealant and install flashing material.